

Aerating valves and cone check valves SV 91 - SV 95



- Materials PVC, PPH / seals FPM
- From DN 10 to DN 100
- SV 91 with free cone
- SV 95 with PTFE coated spring actuated cone

APPLICATIONS

SV 91 and SV 95 – Protection against over-riding pressure

When tank is filled by liquid, the air is compressed and pushes the cone that exhausts air. The tank is protected against exceeding pressure and sealed when the pressure drops. (Fig. A, Fig. C)

SV 95 – Protection against vacuum and overflow

When the tank is emptying the resulting atmosphere is under vacuum. The atmospheric pressure is higher than the pressure inside, pushing the cone of SV 95 valve and air can enter inside the tank. (Fig. B).

This valve protects the environment of pouring out fluid in case of overfilling.

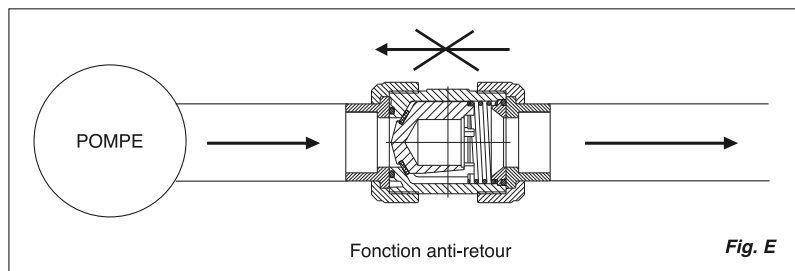
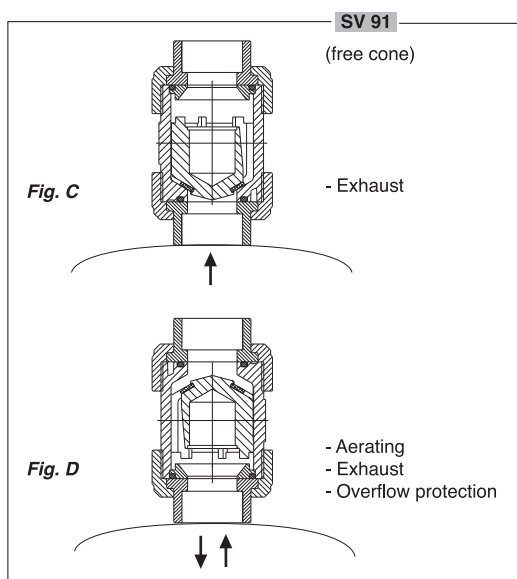
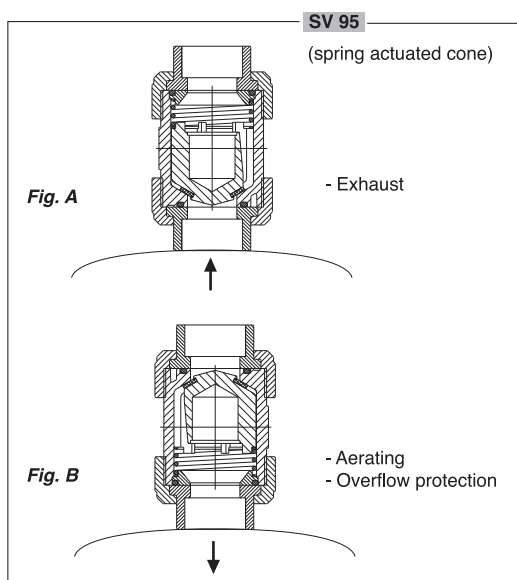
SV 91 – Protection against pressure over-riding and in case of overfilling

SV91 aerating valve (Fig. D) lets the air circulates between inside and outside of the tank to protect it against vacuum and pressure over-riding.

An excess of liquid when filling in the tank, pushes the cone on its seat and avoid pouring out fluid to contaminate outside. (Fig. D).

SV 91 and SV 95 – Protection against siphoning and return flow protection

Aerating valves SV91 and cone check valves SV95 in horizontal pipe mounting are useful to avoid siphoning and to assure the non-returning flow. (Fig. E).



MATERIALS

- Body: PVC or PPH or PVDF on request
 Sealing: FPM or EPDM on request
 Cone: PVC or PPH or PVDF on request, (same as body material)
 open 0.025 bar
 Spring: 1.4401 stainless steel, PTFE coated
 open 0.06 bar
 Fitting: PVC solvent sockets – PPH fusion sockets

BAMO MESURES

22, Rue de la Voie des Bans - Z.I. de la Gare - 95100 ARGENTEUIL
 Tél : (+33) 01 30 25 83 20 - Web : www.bamo.fr
 Fax : (+33) 01 34 10 16 05 - E-mail : info@bamo.fr

Aerating valves &
 cone check valves
SV 91- SV 95

16-01-2013

949 I1 01 C

PLAS

949-01/1

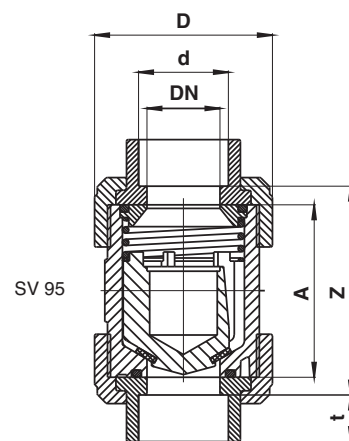
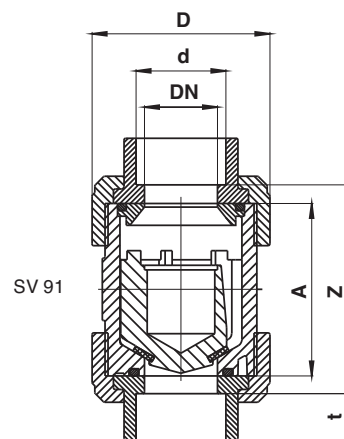
DIMENSIONS

DN	10	15	20	25	32	40	50	65	80	80
d	16	20	25	32	40	50	63	75	90	110
G	3/8"	1/2"	3/4"	1"	1 1/4"	1 1/2"	2"	2 1/2"	3"	4"
L	114.0	124.0	144.0	154.0	174.0	194.0	224.0	284.0	300.0	340.0
L1	120.0	130.0	150.0	160.0	180.0	200.0	230.0	290.0	310.0	350.0
A	62.0	62.0	70.0	74.0	84.0	95.0	109.0	137.0	163.0	163.0
Z	67.5	67.5	76.0	81.0	90.0	104.0	121.0	148.0	183.0	176.0
t	16.5	16.5	19.5	22.5	26.5	31.5	38.5	45.0	55.5	64.0
D	53.0	53.0	63.0	70.0	85.0	101.0	121.5	155.0	188.0	188.0
PN	16	16	16	16	16	16	16	16	10	6

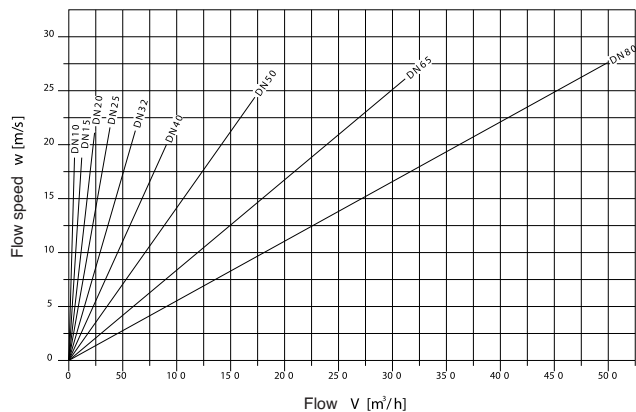
CODES NUMBERS AND REFERENCES

SV 91 PVC body / FPM sealing (without spring)		SV 91 Corps PPH / joint FPM (without spring)	
Code	Reference	Code	Reference
949 101	SV 91 PVC/FPM - DN 10	949 111	SV 91 PPH/FPM - DN 10
949 102	SV 91 PVC/FPM - DN 15	949 112	SV 91 PPH/FPM - DN 15
949 103	SV 91 PVC/FPM - DN 20	949 113	SV 91 PPH/FPM - DN 20
949 104	SV 91 PVC/FPM - DN 25	949 114	SV 91 PPH/FPM - DN 25
949 105	SV 91 PVC/FPM - DN 32	949 115	SV 91 PPH/FPM - DN 32
949 106	SV 91 PVC/FPM - DN 40	949 116	SV 91 PPH/FPM - DN 40
949 107	SV 91 PVC/FPM - DN 50	949 117	SV 91 PPH/FPM - DN 50
949 108	SV 91 PVC/FPM - DN 65	949 118	SV 91 PPH/FPM - DN 65
949 109	SV 91 PVC/FPM - DN 80	949 119	SV 91 PPH/FPM - DN 80
949 110	SV 91 PVC/FPM - DN 100	949 120	SV 91 PPH/FPM - DN 100

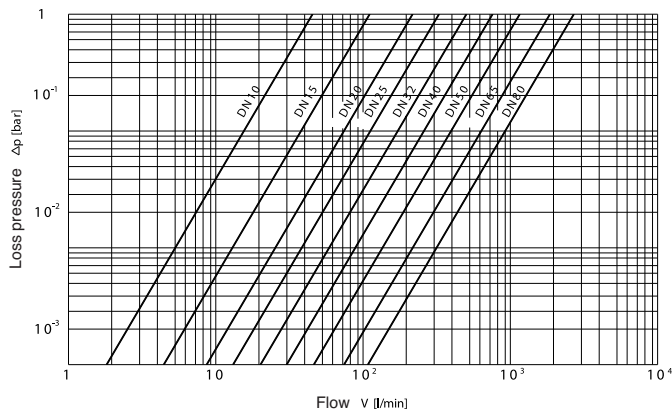
SV 95 PVC body / FPM sealing with PTFE coated stainless steel spring		SV 95 PPH body / FPM sealing with PTFE coated stainless steel spring	
Code	Reference	Code	Reference
949 001	SV 95 PVC/FPM - DN 10	949 011	SV 95 PPH/FPM - DN 10
949 002	SV 95 PVC/FPM - DN 15	949 012	SV 95 PPH/FPM - DN 15
949 003	SV 95 PVC/FPM - DN 20	949 013	SV 95 PPH/FPM - DN 20
949 004	SV 95 PVC/FPM - DN 25	949 014	SV 95 PPH/FPM - DN 25
949 005	SV 95 PVC/FPM - DN 32	949 015	SV 95 PPH/FPM - DN 32
949 006	SV 95 PVC/FPM - DN 40	949 016	SV 95 PPH/FPM - DN 40
949 007	SV 95 PVC/FPM - DN 50	949 017	SV 95 PPH/FPM - DN 50
949 008	SV 95 PVC/FPM - DN 65	949 018	SV 95 PPH/FPM - DN 65
949 009	SV 95 PVC/FPM - DN 80	949 019	SV 95 PPH/FPM - DN 80
949 010	SV 95 PVC/FPM - DN 100	949 020	SV 95 PPH/FPM - DN 100



Air diagramm (SV 91)



Loss pressure diagramm (SV 95)



BAMO MESURES

22, Rue de la Voie des Bans - Z.I. de la Gare - 95100 ARGENTEUIL

Tel : (+33) 01 30 25 83 20 - Web : www.bamo.fr

Fax : (+33) 01 34 10 16 05 - E-mail : info@bamo.fr

Soupapes de ventilation
SV 91- SV 95

16-01-2013

949 I1 01 C

PLAS

949-01/2