

# PVC level indicator GNR 5 - PVC



## USER MANUAL

**BAMO** INTERNATIONAL

22, Rue de la Voie des Bans · Z.I. de la gare · 95100 ARGENTEUIL

Tel +33 (0)1 30 25 83 20 Web [www.bamo.eu](http://www.bamo.eu)

Fax +33 (0)1 34 10 16 05 E-mail [export@bamo.fr](mailto:export@bamo.fr)

PVC level indicator  
**GNR 5 - PVC**

LEV

571-01 /1

15-03-2022

M-571.01-EN-AA

## 1. SAFETY INSTRUCTIONS

- Installation, commissioning and maintenance must be carried out by qualified technicians.
- The operation of the device must be in accordance with and strictly limited to the applications, as mentioned further on and on data-sheet.
- The installation and use of the device must be done without any magnetic induction field.
- The device must be kept away from all metallic parts, or located at a minimum distance of 10 cm.
- Ensure compatibility of the liquid with the chemical resistance of the controller's materials at operating pressure and temperature.
- The pressure in the tank and therefore in the indicator must not exceed 4 bar at 20 °C.

## 2. APPLICATIONS

- Level reading and control on storage tank, via contacts to control pump, solenoid valve and level alarms.

## 3. DESCRIPTION

Note: The float waterline is between 70 and 80 % of the float height.

## 4. MOUNTING

- Prepare the counterflanges on the tank fittings in correspondence with the GNR 5 loose flanges (gaskets are not provided).
- If ordered, mount the stop valves on the indicator  
Once connected to the tank, the indicator is ready for use.  
Gradually open the lower valve to limit the speed of pressure increasing in the indicator  
(BSM or BRK contacts will be fitted in accordance with their instructions)

## 5. TECHNICAL FEATURES

Measuring tube	Transparent PVC Ø 32
Magnetic float	PPH (Diam. 25 mm, height 180 mm)
Stop valves	PVC, sealing: EPDM
Operating temperature	0... +45 °C
Operating pressure	<b>Max. 4 bar at 20 °C</b>
Fittings	PVC loose flanges PN10 (ND20 or ND25) Threaded fittings BSP-M 1"

## 6. OPTIONS

Description	Code
Transparent PVC protective screen	571 130
Level switch BSM 501 / 32	585 132
Level switch BRK 60 / 32	570 050
GNR 52: PPH float with built-in magnet	570 080
Graduated ruler	570 ...

**BAMO** INTERNATIONAL

22, Rue de la Voie des Bans · Z.I. de la gare · 95100 ARGENTEUIL

Tel +33 (0)1 30 25 83 20 Web [www.bamo.eu](http://www.bamo.eu)

Fax +33 (0)1 34 10 16 05 E-mail [export@bamo.fr](mailto:export@bamo.fr)

PVC level indicator  
**GNR 5 - PVC**

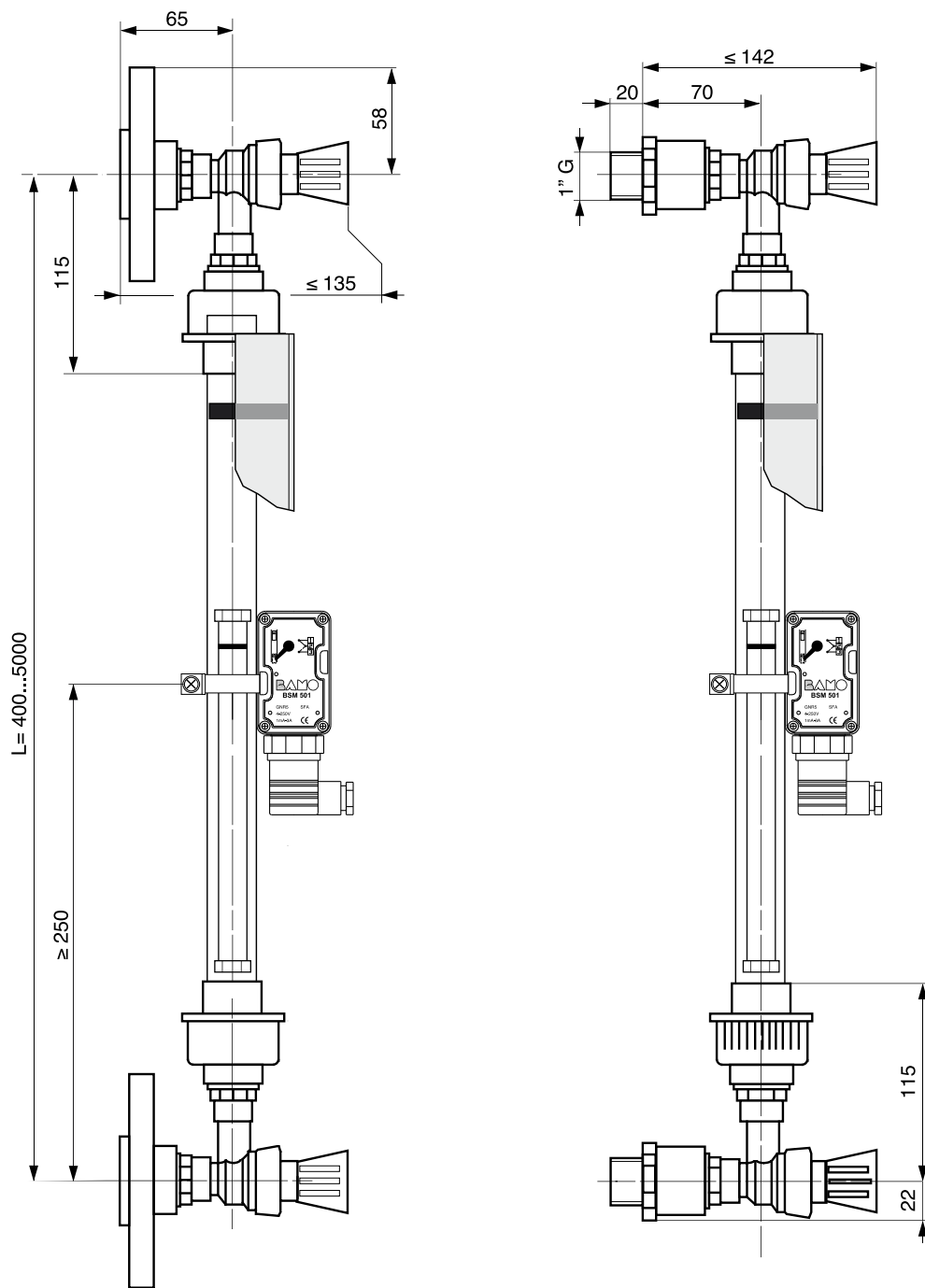
15-03-2022

M-571.01-EN-AA

LEV

571-01 /2

## 7. DIMENSIONS



**BAMO** INTERNATIONAL

22, Rue de la Voie des Bans · Z.I. de la gare · 95100 ARGENTEUIL

Tel +33 (0)1 30 25 83 20 Web [www.bamo.eu](http://www.bamo.eu)

Fax +33 (0)1 34 10 16 05 E-mail [export@bamo.fr](mailto:export@bamo.fr)

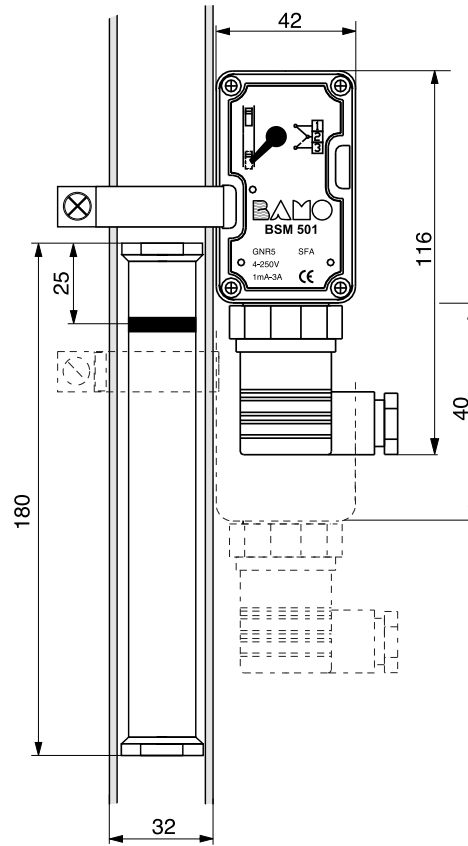
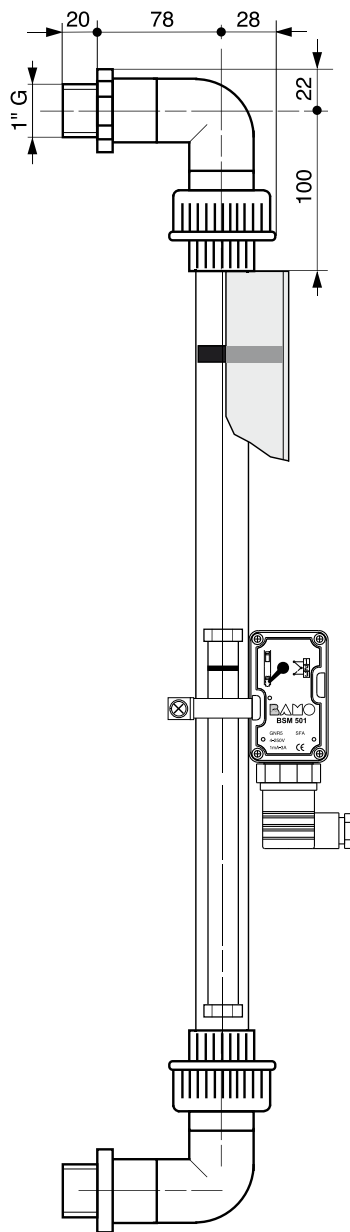
PVC level indicator  
**GNR 5 - PVC**

LEV

571-01/3

15-03-2022

M-571.01-EN-AA



## 8. MAINTENANCE

The cleaning of the GNR 5 is easier when stop valves are mounted, otherwise it is necessary to drain out the tank. When the liquid contains particles, it may be possible that the float is blocked by deposits. In such a case, disassembly of the device will be necessary in order to extract the float for cleaning.

**BAMO** INTERNATIONAL

22, Rue de la Voie des Bans · Z.I. de la gare · 95100 ARGENTEUIL

Tel +33 (0)1 30 25 83 20 Web [www.bamo.eu](http://www.bamo.eu)

Fax +33 (0)1 34 10 16 05 E-mail [export@bamo.fr](mailto:export@bamo.fr)

PVC level indicator  
**GNR 5 - PVC**

LEV

571-01 /4

15-03-2022

M-571.01-EN-AA