

# Ball valve

## 2-Way Stainless Steel Valves



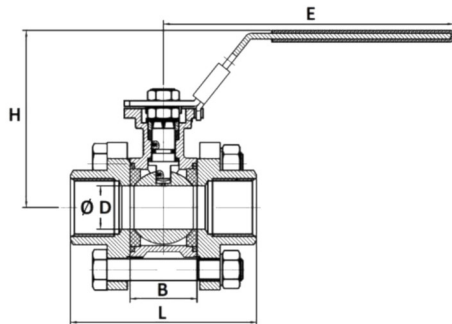
- 3-parts valve body
- Connections from 1/4" to 2"
- ISO 5211 mounting pad
- Full bore

### APPLICATIONS

3-piece ball valve for shut-off of fluids in chemical and pharmaceutical networks, petrochemical industries, hydraulic installations, and compressed air systems

### DESCRIPTION

Sealing is ensured by a PTFE gland packing and an FPM O-ring on the stem, as well as by seats made of 15% glass-filled PTFE. The valve can be actuated by an actuator mounted directly on the ISO 5211 pad via the square stem.



### TECHNICAL DATA

Body	Stainless steel ASTM A351 CF8M
Ball	Stainless steel AISI 316
Control valve spindle	Blow-out proof, stainless steel 316, PTFE and FPM sealing
Seat	15% glass-filled PTFE
Connection	Female/Female BSP
Dimensions	DN1/4" to DN 2"
Operating pressure	63 bar up to DN3/4" 40 bar from DN 1" to DN 2"
Temperature	from -20°C to +180°C
Standards:	DN 1/4" to 1": Article 4, §3 (SEP), no CE marking DN 1"1/4 to 2": Risk category II, CE0038 or CE0343 marking

Code	G	DN	L mm	T mm	H mm	Kg
M1001010	1/4"	10	64	141	75	0,54
M1001011	3/8"	12	64	141	75	0,54
M1001012	1/2"	15	66	141	75	0,62
M1001013	3/4"	20	70,6	141	81	0,73
M1001014	1"	25	82	162	93	1,09
M1001015	1"1/4	32	97	162	98	1,49
M1001016	1"1/2	40	109	188	109	2,41
M1001017	2"	50	124,6	188	124	3,8

*Information provided for guidance only and subject to possible modifications.*

**BAMO** INTERNATIONAL

22, Rue de la Voie des Bans · Z.I. de la gare · 95100 ARGENTEUIL  
 Tel +33 (0)1 30 25 83 20 Web [www.bamo.eu](http://www.bamo.eu)  
 Fax +33 (0)1 34 10 16 05 E-mail [export@bamo.fr](mailto:export@bamo.fr)

Ball valve  
 2-Way Stainless Steel Valves

14-04-2026

D-1001.01-EN-AA

METAL

1001-01 /1