

# Counter, Totalizer, Batch/dosing controller BAMOWIZ DOZ



Displayer (fig. 1)



Control unit (fig. 2)

- Batching control unit (start/stop/repeat)
- Counter and Totalizer
- Pulse input
- Graphic color touch screen
- Timer alarm

## APPLICATIONS

The BAMOWIZ DOZ is a programmable totalizing counter for dosing. Its intuitive configuration makes it easy to adjust the setpoint from the main display, making it particularly suitable for applications requiring frequent adjustments.

It is compatible with flowmeters emitting pulses up to 10 kHz, such as the BAMOFLU (see doc 780-01) or the BAMOMATIC (see doc 775-02).

## TECHNICAL FEATURES

The BAMOWIZ DOZ consists of two separate modules that ensure precise and efficient control of the dosing process:

### 1) Color touchscreen display

Featuring a full-color graphic display, the touchscreen allows smooth navigation and rapid configuration. It converts flowmeter pulses into customizable units of measurement, such as m<sup>3</sup> or liters, offering great flexibility of use. The main display provides a clear, real-time view of essential parameters, including :

- Dosing / batching setpoint
- Volume counted during a cycle
- Timer countdown via slider
- Status of relays S1, S2 and S3
- Totalization of volume
- Number of cycles completed

### 2) Control unit

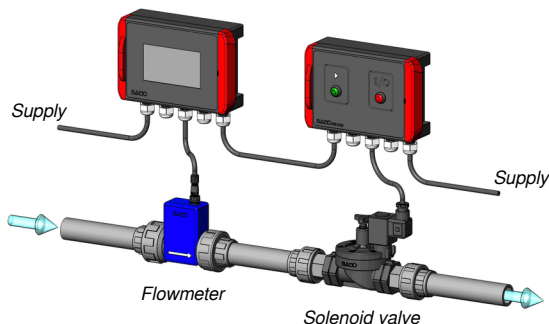
The BAMOWIZ DOZ control unit is designed for optimum control of dosing operations. It makes it easy to start or stop a dosing cycle by directly controlling a solenoid valve via a static output. It is also possible to use a deported contact for remote dosing control, offering additional flexibility for remote installations or automated systems.

With its ergonomic design and ease of use, the BAMOWIZ DOZ is perfectly suited to industrial environments requiring precise, adaptable dosage management.

## CODE NUMBERS AND REFERENCES

Code	Description
217 310	BAMOWIZ DOZ Display 230 VAC
217 311	BAMOWIZ DOZ Display 24 VDC
217 315	BAMOWIZ DOZ Control unit 24 VDC
217 316	BAMOWIZ DOZ Control unit 24 ... 230 V AC

*Caution: It is necessary to use the control unit corresponding to the solenoid valve power supply.*



**BAMO** INTERNATIONAL

22, Rue de la Voie des Bans · Z.I. de la gare · 95100 ARGENTEUIL  
 Tel +33 (0)1 30 25 83 20 Web www.bamo.eu  
 Fax +33 (0)1 34 10 16 05 E-mail export@bamo.fr

Counter, Totalizer,  
Batch/dosing controller  
**BAMOWIZ DOZ**

29-01-2025

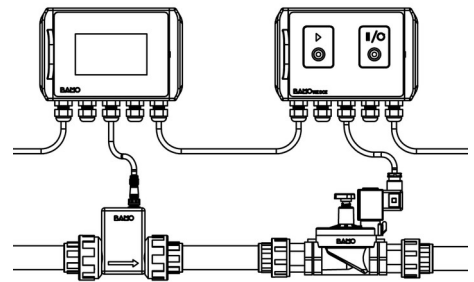
D-217.05-EN-AE

RE

217-05/1

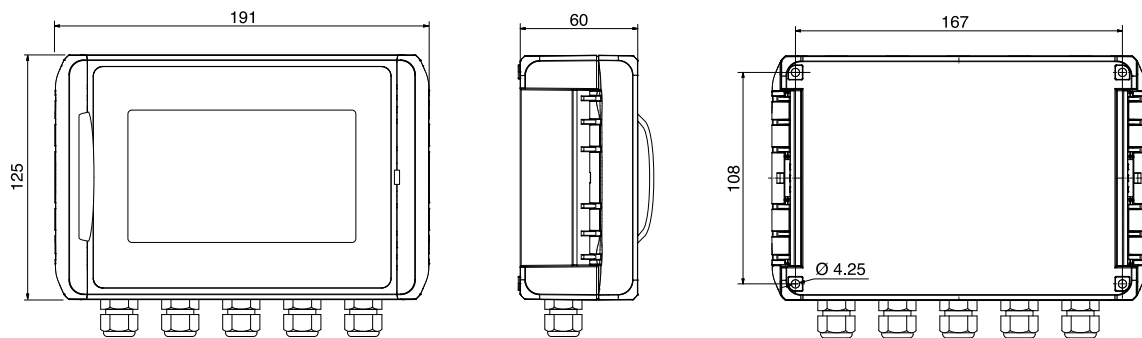
## TECHNICAL FEATURES

User interface	Graphic color touch screen, size 4/3 Resolution: 480 x 272 pixels
Languages	English - French - German Polish - Portuguese - Spanish
Touch screen keyboard, alphanumeric	Dedicated for each language
Flow counter and totalizer via pulse input	
Pulse input	Up to 10 kHz
Anti-rebound mode	For potential-free contact
Relay outputs	3 configurable NO contacts, potential-free Pulse or on/off mode
Adjustable thresholds	Up to 8 configurable threshold alarms freely assignable to any of the 3 relay contacts According to totalization, cycle or timer values
Alarm delay time	From 0 to 9999 s
Switching power	3 A / 250 V AC
Hysteresis	Adjustable from 0 to 100 %
Totalization reset	Reset to zero of totalizer and number of cycles
Relay switching simulation	Manual relay switching test
1 Static output	Solenoid valve control (with external power supply) 230 V AC; Max. 400 W Version 24 VDC: Max. 40 W
Monitor, power supply	100 ... 240 V AC - 50/60 Hz
Consumption	Max. 5 VA
Electrical connections	Screw terminals
Cable entries	5 Cable glands (PE 9)
Mounting	IP 65 wall-mounted enclosure - ABS plastic
Ambient temperature	-10 ... +50 °C



**EC Conformity:** These devices meet the legal requirements of the current European Directives.

## DIMENSIONS



**BAMO INTERNATIONAL**

22, Rue de la Voie des Bans · Z.I. de la gare · 95100 ARGENTEUIL  
Tel +33 (0)1 30 25 83 20 Web [www.bamo.eu](http://www.bamo.eu)  
Fax +33 (0)1 34 10 16 05 E-mail [export@bamo.fr](mailto:export@bamo.fr)

Counter, Totalizer,  
Batch/dosing controller  
**BAMOWIZ DOZ**

29-01-2025

D-217.05-EN-AE

RE

217-05/2