

# Resistivity monitor LAS



- Expanded scale from 0 to 2 MΩ.cm
- Output: Changeover contact
- Audible alarm, adjustable setting

## APPLICATIONS

- Demineralized water production monitoring

## DESCRIPTION

The instrument indicates permanently the resistivity value. The alarm sounds each time the resistivity is lower than the pre-set value; it reset only when the resistivity is back to a greater value. The scale 0 ... 2 MΩ.cm is expanded to allow a comfortable reading from 20 to 500 kΩ.cm with centered value at 100 kΩ.cm bringing a safe information. The instrument is convenient for monitoring demineralisation systems anions / cations , without automatic control.

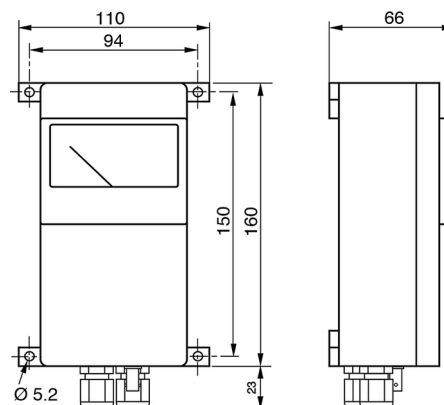
### Associated probes:

Our probes with cell factor 0.1 are suitable (data-sheet 360-01), however the probe BC 1425/BNC - R 1/4" is particularly convenient. However the probe BC 1425/BNC - R 1/4" is particularly convenient; cable poutput (5 m long) with BNC connector.

## TECHNICAL FEATURES

Measuring range	0 to 2 MΩ.cm, expanded scale centered on 100 kΩ.cm
Alarm	Audible alarm and red light on the front
Output	Changeover contact
Switching power	5 A - 250 V AC; 5 A - 30 V DC
Housing	In ABS - 80 x 160 x 55 mm
Power supply	230 V AC - 50 Hz (1.5 m long cable included)

**EC Conformity:** The instrument meets the legal requirements of the current European Directives



## CODE NUMBERS AND REFERENCES

Code	Reference	Description
315 201	LAS/BNC/AL	Resistivity meter with audible alarm and contact output
360 502	BC 1425/BNC	Resistivity cell with factor C = 0.1

**BAMO** INTERNATIONAL

22, Rue de la Voie des Bans · Z.I. de la gare · 95100 ARGENTEUIL

Tel +33 (0)1 30 25 83 20 Web [www.bamo.eu](http://www.bamo.eu)

Fax +33 (0)1 34 10 16 05 E-mail [export@bamo.fr](mailto:export@bamo.fr)

Resistivity monitor  
**LAS**

11-05-2022

D-315.02-EN-AB

**RES**

**315-02/1**