

# Analogue transmitter for flow controllers

## SIG 4.0



- For flow controllers
- Output: 4 ... 20 mA or 0 ... 10 V
- Accuracy:  $\pm 10\%$  FS
- Already set in factory

### APPLICATIONS

- Continuous monitoring of flow rates on cooling, lubricating systems, and more.

### DESCRIPTION

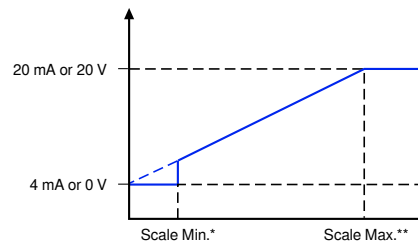
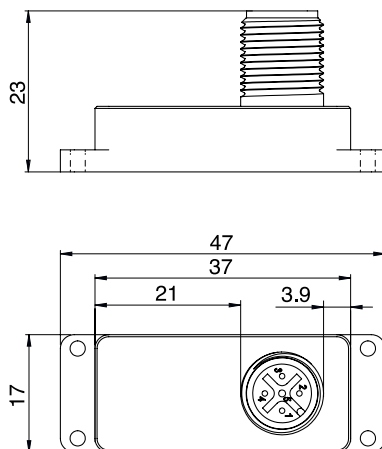
The analogue transmitter "SIG 4.0" works on the principle of Hall effect. It detects the position of the magnetic diver or orifice plate of the controller and delivers a signal proportional to the flow rate. The "SIG 4.0" is supplied fitted and secured on the flow controller, already set up.

#### Note:

Refer to flow controller specifications for mounting recommendations. The transmitter "SIG 4.0" must not be removed from the flow controller.

### TECHNICAL FEATURES

Analogue output	4 ... 20 mA or 0 ... 10 V (max. 600 $\Omega$ )
Power supply	24 V DC (19 ... 30 V DC)
Consumption	Max. 10 mA / 1 W
Accuracy	$\pm 10\%$ F.S.
Ambient temperature	-20 °C ... +70 °C
Operating temperature	-20 °C ... +80 °C
Material	Aluminum (blue, anodized)
Protection	IP 65
Connection	M12 connector, 5 pins (included)



(\*) : Min. of flow of controller scale  
 (\*\*) : Max. of flow of controller scale

**EC Conformity:** The instrument meets the legal requirements of the current European Directives

### CODE NUMBER AND REFERENCE

Code	Reference	DESCRIPTION
720 980	SIG 4.0	Flow controller + Transmitter

Available with following flow controllers: BR (720-01), CDA (722-01), DUM (725-01) and DKM (723-01).  
 Other systems: on request

**BAMO** INTERNATIONAL

22, Rue de la Voie des Bans · Z.I. de la gare · 95100 ARGENTEUIL  
 Tel +33 (0)1 30 25 83 20 Web [www.bamo.eu](http://www.bamo.eu)  
 Fax +33 (0)1 34 10 16 05 E-mail [export@bamo.fr](mailto:export@bamo.fr)

Analogue transmitter for flow controllers  
**SIG 4.0**

29-11-2019

D-720.10-EN-AA

DEB

720-10/1