

Flow calculator for open channels **BAMOPHAR 759**

Wall mount model



- Color touch screen
- Display of level, flow-rate, daily volume and totalization
- Flow-rate tables for Venturi and weir plates
- 1 Input 4-20mA and 1 input Pt 100 Ohm
- 2 analogue outputs 0/4-20 mA
- 4 programmable relay outputs; 2 as alarms, 1 for sampler, 1 for pulse output)

• OPTIONS:

RS 422 /J-BUS + LOGGER

Extension terminal for a second measurement input

DESCRIPTION

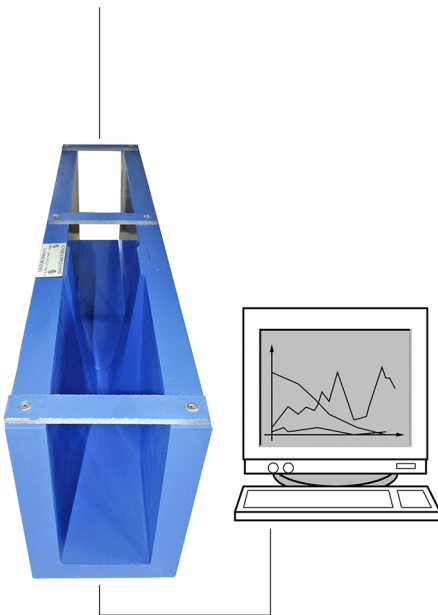
The reading is easy on the 4.3" color touch screen for flow-rate or height of liquid, as well as for totalization.

Through a user friendly menu, settings are easy for thresholds, alarms, sampler monitoring and all parameters.

BAMOPHAR 759 converts the input signal directly into flow-rate, through a calculator and using formulas and calibration tables of our Venturi channels (ISO 4359) and our standard V or U channel weirs.

Extension terminal (panel, wall or DIN rail mounting):

- Allows a second measurement (Turbidity, pH, Conductivity, etc.)
- Data from this blind unit are displayed on the main device
- Connected to main unit with a 2x2-wire shielded cable (Cable length between both devices: max. 500 m)
- Extension terminal uses the RS 422 and data logger of main unit



Panel mount model
(main unit + Extension terminal)

BAMO INTERNATIONAL

22, Rue de la Voie des Bans · Z.I. de la gare · 95100 ARGENTEUIL

Tel +33 (0)1 30 25 83 20 Web www.bamo.eu

Fax +33 (0)1 34 10 16 05 E-mail export@bamo.fr

Flow calculator for open
channels

BAMOPHAR 759

07-01-2020

D-759.03-EN-AE

DEB

759-03/1

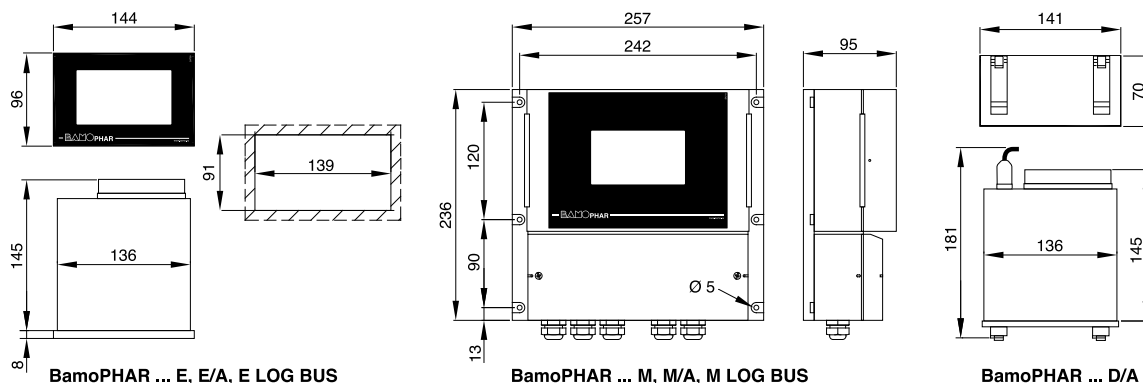
TECHNICAL FEATURES

End-user interface	Color touch screen 4.3", resolution 480x272 pixels Display of measurements, flow rate, temperature, height of liquid, daily volume and totalization, status of relays Settings - Configuration keyword protected
Measurement Scales	Height of liquid (mm) - Resolution 1 mm Flow-rate (m ³ /h) - Resolution 0.1 m ³ /h Volume (m ³) - Resolution 1 m ³
Volumes and totalization	Daily volume - on 8 digits - Reset to zero through the menu Totalization - on 8 digits - No reset to zero
Measurement signals inputs	4-20 mA proportional to height of liquid Temperature Pt 100 Ω sensor (-20 ... 160 °C)
Memorized flow-rate tables	In memory for Venturi channels, weir plates in V or U
Thresholds S1 and S3	2 contacts N.O., potential free, dedicated to flow-rate or temperature or to an external sensor. Adjustable hysteresis from 0 to 100 % - Adjustable timer from 0 to 9999 s
Sampler monitoring S2	Set up on volume (m ³) 1 contact N.O., potential free. Adjustable timer (closed contact) from 0 to 9999 s
Pulse output S4	For external counter - 1 pulse/m ³ 1 contact N.O., potential free
Contact Initial resistance	100 m Ω max. (voltage drop 6 V DC 1 A)
Switching power	3 A, 277 V AC; 3 A, 30 V DC (nominal)
Switching capacity (min.)	100 mA, 5 V DC (variable according to switching frequency, ambient conditions, accuracy)
Measurement output	0/4-20 mA (max. 600 Ω) proportional to flow-rate - Programmable scale Temperature (°C)
Main power supply	230 V AC - 50/60 Hz (others on request) - Consumption 10 VA
Models	Panel mounting, 96x144 mm; Front IP65; Rear IP40 Wall mounting, IP65, with cable glands

OPTION (RS 422 + Logger)

Interface	RS422 output, J-BUS link - Binary slave mode - 2400 to 9600 bauds
Data Logger	Record of cycle average measurement - 150 000 records max. on memory card.

DIMENSIONS



CODE NUMBERS AND REFERENCES

Code	Reference	Description
759 501	BAMOPHAR 759 E	Panel mounting 96x144 mm - Front IP 65; Rear IP 40
759 502	BAMOPHAR 759 E/A	Panel mounting 96x144 mm - Extension, blind monitor - Front IP 65; Rear IP 40
759 503	BAMOPHAR 759 D/A	DIN Rail mounting - Extension, blind monitor / IP40
759 504	BAMOPHAR 759 E LOG BUS	Panel mounting 96x144 mm - RS422 + LOGGER - Front IP 65; Rear IP 40
759 510	BAMOPHAR 759 M	Wall mounting, IP 65, cable glands
759 511	BAMOPHAR 759 M/A	Wall mounting - Extension, blind monitor - IP 65, cable glands
759 513	BAMOPHAR 759 M LOG BUS	Wall mounting - RS 422 + LOGGER - IP 65, cable glands

BAMO INTERNATIONAL

22, Rue de la Voie des Bans · Z.I. de la gare · 95100 ARGENTEUIL
 Tel +33 (0)1 30 25 83 20 Web www.bamo.eu
 Fax +33 (0)1 34 10 16 05 E-mail export@bamo.fr

Flow calculator for open
channels
BAMOPHAR 759

07-01-2020

D-759.03-EN-AE

DEB

759-03/2