

ORIFICE PLATE FLOW INDICATOR U6 SERIE



- Mounting in all positions
- Construction: cast iron or stainless steel
- For pipes from ND 40 up to ND 300 mm
- Scale amplification from 2 to 10
- Accuracy: $\pm 2.5\%$
- Optional: High or/and Low flow switches

PRINCIPLE

The orifice plate flow indicators U6 are specifically designed for the measurement of high flow rates. They are suitable for pipes with a diameter equal or over 2".

The direct reading is done on a variable area flow meter.

For an optimal accuracy, the diaphragm characteristics are calculated against the process parameters (*see further on*).

TECHNICAL FEATURES

Measuring range:	1 to 1600 m ³ /h [Water at 20°C] 180 to 200 000 Nm ³ /h [normo m ³ /h of air]
Accuracy:	$\pm 2.5\%$ full scale
Repeatability:	$\pm 0.5\%$ reading
Scale amplification:	from 2 to 10 - Linear scale
Temperature limits:	0 ... 90°C, sealing in Buna 0 ... 120°C, sealing in FPM
Pressure limit:	21 bar as a maximum

MATERIALS

Wetted parts:	Cast iron and brass (<i>standard</i>) Stainless steel 316 (<i>on request</i>)
Diaphragm:	Stainless steel 316
Flow indicator:	Borosilicate glass tube
Diver:	Stainless steel 316 SS (<i>liquids</i>) Aluminium (<i>gases</i>)
Thrusts:	Stainless steel 316
Sealing:	O-rings in Buna N as standard; FPM on request

OPTIONS

Alarm contacts:	(<i>low or high flow rate</i>)
Inductive contact:	Mono or bi-stable
Operating temperature:	Ambient from -25°C to 60°C
Protection:	IP 67
Protection relay:	Relay S112A

BAMO MESURES

22, Rue de la Voie des Bans - Z.I. de la Gare - 95100 ARGENTEUIL

Tél : (+33) 01 30 25 83 20 - Web : www.bamo.fr

Fax : (+33) 01 34 10 16 05 - E-mail : info@bamo.fr

ORIFICE PLATE
FLOW INDICATOR
U6 SERIE

31-10-2013

764 I1 01 B

DEB

764-01/1

Scales [Water at 20°C]

P and H /mbar										
P	100		160		250		400		630	
DN	m ³ /h	H	m ³ /h	H	m ³ /h	H	m ³ /h	H	m ³ /h	H
50	16	35	20	55	25	88	32	140	40	220
80	36		46		57		72		90	
100	62		78		98		124		155	
150	136		172		215		272		340	
200	245		310		385		485		610	

Scales [Air in Normo m3/h]

P and H /mbar								
P	16		25		40		160	
DN	Nm ³ /h	H	Nm ³ /h	H	Nm ³ /h	H	Nm ³ /h	H
50	180	5	220	8	280	13	560	53
80	450		560		710		1430	
100	700		880		1120		2250	
150	1600		2000		2500		5000	
200	2820		3500		4500		8650	

P: measuring differential pressure / H: pressure loss

Flow rates herein above are for U6 according to the internal diameter of the pipe.

For air, flow rates are in Normo m3/h, operating pressure and temperature should be confirmed with the order. The air should be dry without humidity to prevent condensation in the reading tube.

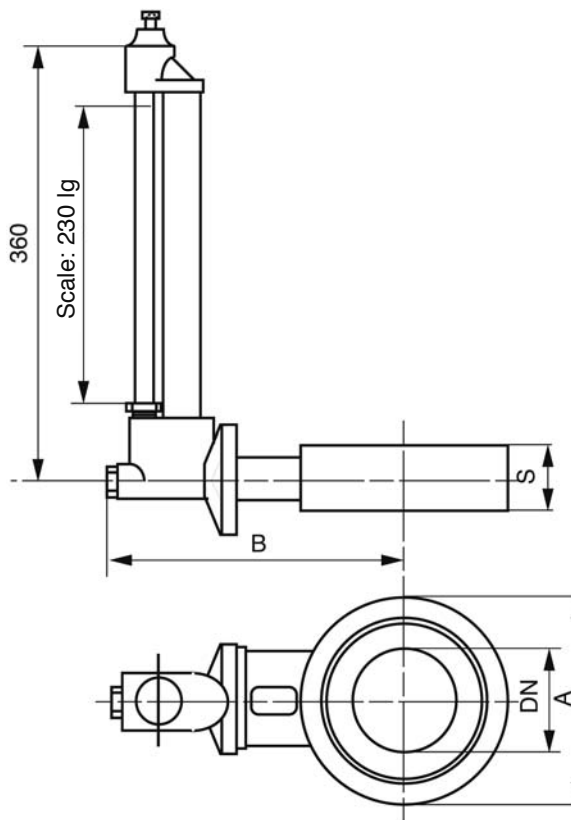
MOUNTING

The specific connection (*jointed coupling*) between the diaphragm and the flow indicator allows mounting of U 6 unit on vertical or horizontal pipe (*with any flow direction*).

Special mention is necessary for the reading scale: over or below the pipe axis.

Fitting: wafer type, between flanges PN 10 bar (*standard flanges supplied on request*).

Type	ND	A	B	S
U 6 - 3000	40	88	167	34
U 6 - 3100	50	100	174	34
U 6 - 3200	65	115	184	34
U 6 - 3300	80	130	194	34
U 6 - 3400	100	155	204	34
U 6 - 3600	150	210	234	38
U 6 - 3800	200	265	264	38
U 6 - 4000	250	315	294	38
U 6 - 4200	300	370	324	38



Details to confirm with an inquiry

Fluid:
 Pressure: bar
 Temperature: °C
 Specific weight: kg/L or kg/Nm³
 Maximal flow rate: m³/h or Nm³/h
 Pipe O. D: mm
 Pipe thickness: mm
 Pipe material: