

# Pneumatic butterfly valves, single or double acting VPP K4-PVDF



- PVDF valves ND 65 ... ND 200
- Radial mounting and dismounting
- Pneumatic actuator  
Single or double acting  
Or N.C. or N.O.
- Position pointer
- **OPTIONS:**  
Limit switches box  
Pilot valve

## DESCRIPTION

Butterfly valves controlled by pneumatic actuator single acting (N.C. or N.O) or double acting, are useful to allow or to stop the flow of liquids in piping. Wet parts are the seat, seals and the disk. These valves are suitable for applications even with aggressive liquids.

## TECHNICAL FEATURES

### Butterfly valve

Body	PP-G ( glass-fiber reinforced)
Seat and seals	FPM
Disk	PVDF
Wafer mounting	Between flanges

### Pneumatic actuator

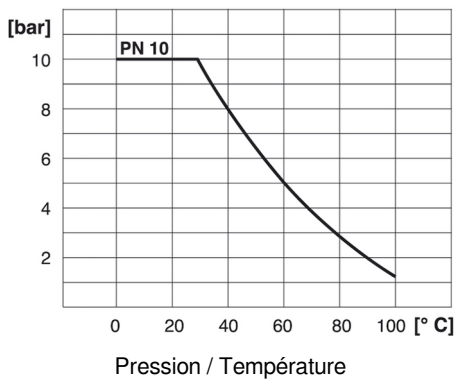
Models	Single acting (or N.O. or N.C.) versions, or double acting version
Operating pressure	Min. 6 bar; Max. 8 bar
Fittings	BSP-F 1/4 "

**In conformity with directive NAMUR VDI/VDE 3845 and ISO 5211**

### Accessories:

- (Sea data-sheet da913.10)
- Limit switches box
  - 3/2-way pilot valves (For single acting versions)
  - 5/2-way pilot valves (For double acting version)

**EC Conformity:** The instrument meets the legal requirements of the current European Directives



**BAMO** INTERNATIONAL

22, Rue de la Voie des Bans · Z.I. de la gare · 95100 ARGENTEUIL  
 Tel +33 (0)1 30 25 83 20 Web [www.bamo.eu](http://www.bamo.eu)  
 Fax +33 (0)1 34 10 16 05 E-mail [export@bamo.fr](mailto:export@bamo.fr)

Pneumatic butterfly valves,  
single or double acting  
**VPP K4-PVDF**

29-06-2020

D-913.09-EN-AA

PLAS

913-09/1

## CODE NUMBERS AND REFERENCES

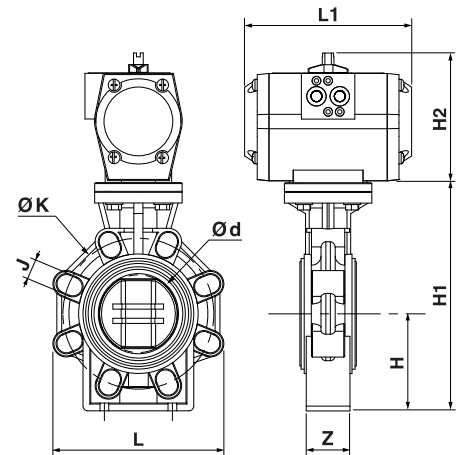
ND	d	Single acting N.C.	Single acting N.O.	Double acting
65	75	913 673	913 678	913 683
80	90	913 674	913 679	913 684
100	110	913 675	913 680	913 685
150	160	913 676	913 681	913 686
200	225	913 677	913 682	913 687

## DIMENSIONS [mm]

ND	d	H	H1	H2	L	L1	Z	K	J
65	75	100	232	111	133	160	46	127 / 145	19
80	90		239	133	176	175	49	146 / 160	
100	110	115	269	143	206	230	56	175 / 190.5	23
150	160	148	333	162	261	239	70	234.5 / 241.5	
200	225	175	395	196	314	246	71	290 / 298.5	

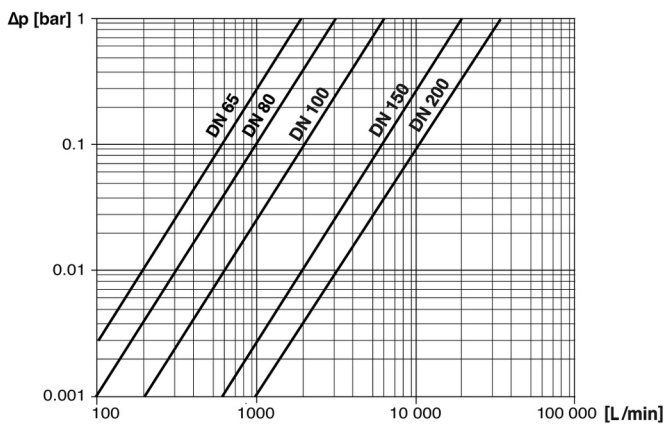
### Tightening torques, wafer mounting:

ND 65	ND 80	ND 100	ND 150	ND 200
15 N.m	18 N.m	20 N.m	40 N.m	55 N.m

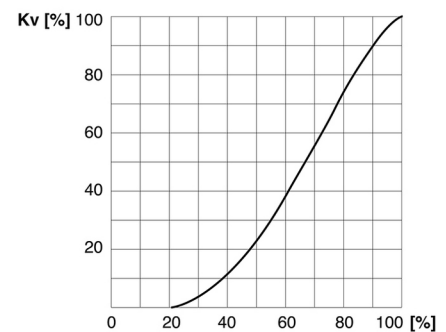


## PHYSICAL FEATURES

Pressure drop vs. flow ( water at 20 °c)



Kv vs. Opening angle ( in %)



### Flow factor ( Kv)

ND 65		ND 80		ND 100		ND 150		ND 200	
Pressure drop									
1 bar	0.001 bar	1 bar	0.001 bar	1 bar	0.001 bar	1 bar	0.001 bar	1 bar	0.001 bar
1,900 l/min	60 l/min	3,100 l/min	100 l/min	6,000 l/min	190 l/min	19,000 l/min	600 l/min	35,000 l/min	1,100 l/min

**BAMO** INTERNATIONAL

22, Rue de la Voie des Bans · Z.I. de la gare · 95100 ARGENTEUIL  
 Tel +33 (0)1 30 25 83 20 Web [www.bamo.eu](http://www.bamo.eu)  
 Fax +33 (0)1 34 10 16 05 E-mail [export@bamo.fr](mailto:export@bamo.fr)

Pneumatic butterfly valves,  
 single or double acting  
**VPP K4-PVDF**

29-06-2020

D-913.09-EN-AA

**PLAS**

**913-09/2**