

Electrically actuated butterfly valves VEP FE-PVC



- PVC Valve from ND 50 up to ND 200
- In-line pattern
- Electric actuator; Position index; Manual operating for emergency

DESCRIPTION

These valves operated through an electric actuator, allow or prohibit the passage of fluid in a piping system. Only sealing and butterfly are in contact with the liquid.

These valves are designed for aggressive liquids, they include a position index and are manually operated for maintenance or emergency.

TECHNICAL FEATURES

Butterfly valves:

Body	PVC
Sealing	EPDM
Butterfly	PVC
Mounting	Wafer (between flanges)
Pressure limit	10 bar at 20 °C

Electric actuators:

Control	On/Off mode and 3-points modulating mode
Rotation	90°
Manual override	Manual override knob
Limit switches	2 Adjustable contacts (max. 5A)

Actuators specific features for ND 50 to 125

Multi-voltage power supplies	100 ... 240 V AC 50/60 Hz; 100 ... 350 V DC 24 V AC 50/60 Hz; 24 V DC
Consumption	15 W (ND 50); 45 W (ND 65 to 125)
Duty cycle	30% (CEI34)
Protection	IP 65
Electrical connections	1 cable gland ISO M20 and 1 DIN 43650 plug; 3-wire + earth

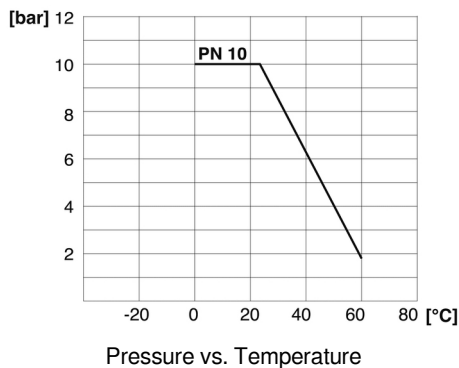
Actuators specific features for ND 150 to 200

Multi-voltage power supplies	100 ... 240 V AC 50/60 Hz; 100 ... 350 V DC 15 ... 30 V AC 50/60 Hz; 12 ... 48 V DC
Consumption	45 W
Duty cycle	50% (CEI34)
Protection	IP 68
Electrical connections	2 cable glands ISO M20

Options:

Fail safe version (back to position 0° in case of power failure).

EC Conformity: The instrument meets the legal requirements of the current European Directives.



BAMO INTERNATIONAL

22, Rue de la Voie des Bans · Z.I. de la gare · 95100 ARGENTEUIL
Tel +33 (0)1 30 25 83 20 Web www.bamo.eu
Fax +33 (0)1 34 10 16 05 E-mail export@bamo.fr

Electrically actuated butterfly
valves
VEP FE-PVC

17-10-2019

D-914.03-EN-AD

PLAS

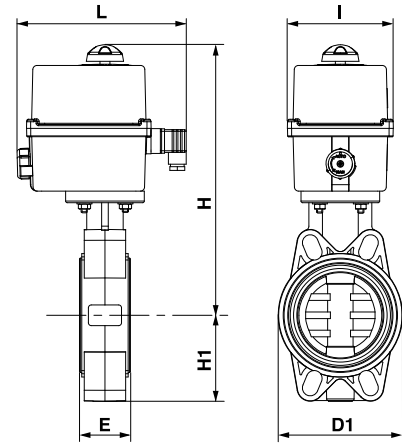
914-03/1

CODE NUMBERS AND REFERENCES

DN	d	24 V AC; 24 V DC	90 ... 240 V AC; 90 ... 350 V DC
50	63	914 251	914 261
65	75	914 252	914 262
80	90	914 253	914 263
100	110	914 254	914 264
125	140*	914 255	914 265
		15 ... 30 V AC; 12 ... 48 V DC	
150	160	914 256	914 266
200	225**	914 257	914 267

* : Convenient for ND 125 ; Ø 125 mm

** : Convenient for ND 200; Ø 200



DIMENSIONS [mm]

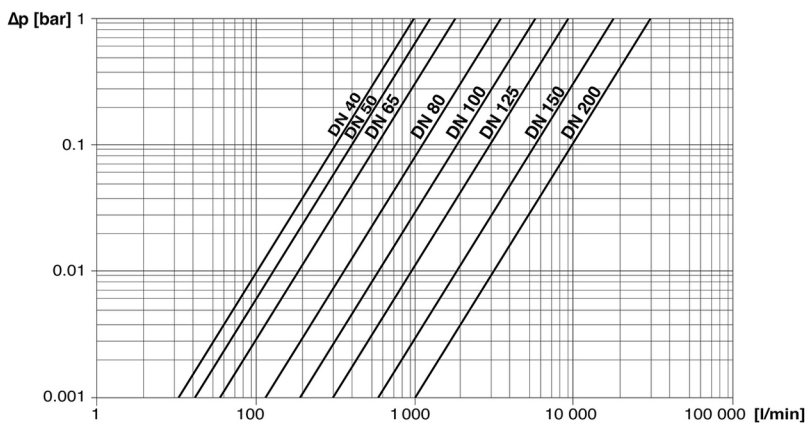
ND	NB	D1	E	I	L	H	H1	
50	2"	147	43	92	193	255	70	R60
65	2 ½"	165	46	92	193	280	80	
80	3"	130	49	128	208	308	90	
100	4"	150	56	128	208	323	105	R100
125	5"	185	64	128	208	343	101	S150
150	6"	210	70	170	275	438	132	
200	8"	325	71	170	275	485	161	

Tightening torques wafer mounting:

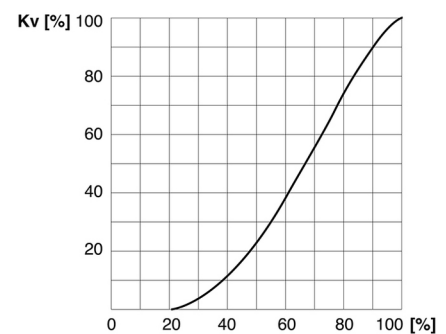
ND 65: 15 Nm	ND 80: 18 Nm	ND 100: 20 Nm	ND 150: 40 Nm	ND 200: 55 Nm
--------------	--------------	---------------	---------------	---------------

SPECIFIC FEATURES

Pressure drop vs. Flow-rate (water at 20 °C)



Kv vs. % of opening angle



Kv factor (water at 20 °C):

ND 40	ND 50	ND 65	ND 80	ND 100	ND 125	ND 150	ND 200
1,000 l/min	1,285 l/min	1,700 l/min	3,550 l/min	5,900 l/min	9,850 l/min	18,700 l/min	30,500 l/min

BAMO INTERNATIONAL

22, Rue de la Voie des Bans · Z.I. de la gare · 95100 ARGENTEUIL

Tel +33 (0)1 30 25 83 20 Web www.bamo.eu

Fax +33 (0)1 34 10 16 05 E-mail export@bamo.fr

Electrically actuated butterfly valves
VEP FE-PVC

17-10-2019

D-914.03-EN-AD

PLAS

914-03/2