

# Pneumatic butterfly valve, single or double acting VPP - INOX



- Wafer mounting ND 50 to ND 300
- Pneumatic actuator  
Single or double acting
- Position pointer
- **OPTIONS:**  
Limit switches box  
Pilot solenoid valve

## DESCRIPTION

These butterfly valves controlled by a single-acting pneumatic actuator, NC or NO, or a double-acting one, allow or prohibit the passage of the fluid. Wet parts are the seals, sleeve and the disk.

## TECHNICAL FEATURES

### Butterfly valve:

Body	Epoxy painted cast iron
Seals and sleeve	EPDM / ACS Certification
Disk	AISI 316 (1.4408)
Wafer mounting	Between flanges PN 16; EN1092-1; NFE 29203
Pressure limit	6 bar (10 or 16 bar: On request)
Temperature limits	-20 ... +80 °C
Certificate	<b>French approval ACS (Certificate of Sanitary Compliance)</b>

### Pneumatic actuator:

Models	Single acting or N.O., or N.C., or Double acting
Operating pressure	Min. 6 bar; Max. 8 bar
Fittings	1/4" G
Conformity to	<b>NAMUR VDI/VDE 3845 and ISO 5211</b>

**EC Conformity: The instrument meets the legal requirements of the current European Directives**

### Accessories (see data-sheet da913-10):

- Limit switches box
- Pilot solenoid valve 3/2 way (For single acting versions)
- Pilot solenoid valves 5/2 way (For double acting version)
- Exhaust silencer
- Exhaust damper

## CODE NUMBERS AND REFERENCES

ND	Single acting: N.C.	Single acting: N.O.	Double acting
50	M 1013 201	M 1013 221	M 1013 241
65	M 1013 202	M 1013 222	M 1013 242
80	M 1013 203	M 1013 223	M 1013 243
100	M 1013 204	M 1013 224	M 1013 244
125	M 1013 205	M 1013 225	M 1013 245
150	M 1013 206	M 1013 226	M 1013 246
200	M 1013 207	M 1013 227	M 1013 247
250	M 1013 208	M 1013 228	M 1013 248
300	M 1013 209	M 1013 229	M 1013 249

**BAMO** INTERNATIONAL

22, Rue de la Voie des Bans · Z.I. de la gare · 95100 ARGENTEUIL  
 Tel +33 (0)1 30 25 83 20 Web [www.bamo.eu](http://www.bamo.eu)  
 Fax +33 (0)1 34 10 16 05 E-mail [export@bamo.fr](mailto:export@bamo.fr)

Pneumatic butterfly valve,  
single or double acting  
**VPP - INOX**

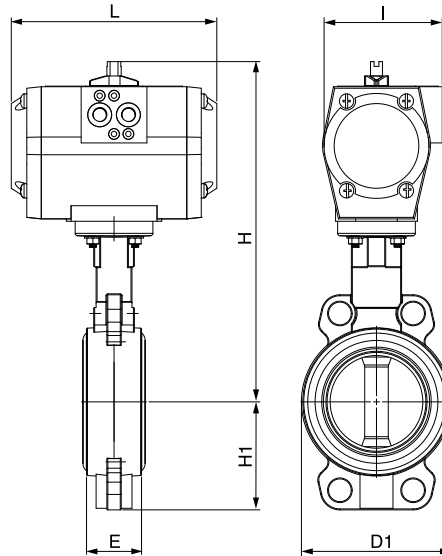
23-09-2020

D-1013.03-EN-AC

**METAL**

**1013-03 /1**

## DIMENSIONS [mm]



ND	D1	E	H1	Single acting			Double acting		
				I	L	H	I	L	H
50	94	43	63	86	160	246	67	119	226
65	111	46	71.5	101	175	282	86	160	261
80	127	46	91	96	239	303	86	160	271
100	151	52	106	96	239	323	101	175	312
125	180	56	121	113	230	358			328
150	206		133	138	290	406	96	239	353
200	261	60	164	151	351	448	138	246	436
250	318	68	199	185	361	523	151	351	483
300	372	78	233	On request					518

## PHYSICAL FEATURES

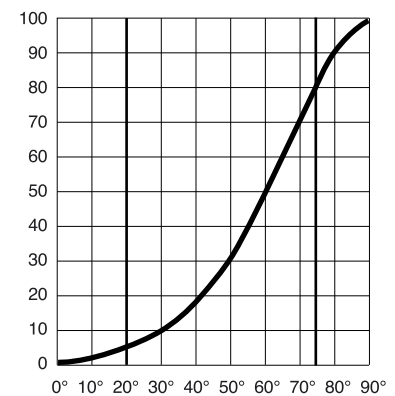
### Opening angle and Kv values:

Kv in m<sup>3</sup>/h at pressure drop 1 bar ( $\Delta P$ )

Example: ND100 opening at 50° --> Kv = 115 m<sup>3</sup>/h

ND	10°	20°	30°	40°	50°	60°	70°	80°	90°
50		2	6	12	23	38	65	114	126
65	--	4	10	23	40	70	115	205	228
80		6	17	40	70	120	200	350	390
100	1	10	28	65	115	190	320	560	620
125		13	40	90	160	260	430	770	860
150	2	26	80	175	310	520	860	1540	1710
200	4	50	155	340	600	1010	1680	3040	3380
250	6	100	300	660	1190	1980	3300	950	6600
300	8	125	370	820	1480	2460	4100	7370	8190

Q [%]



Flow-rate vs. Opening angle

# BAMO INTERNATIONAL

22, Rue de la Voie des Bans · Z.I. de la gare · 95100 ARGENTEUIL

Tel +33 (0)1 30 25 83 20 Web [www.bamo.eu](http://www.bamo.eu)

Fax +33 (0)1 34 10 16 05 E-mail [export@bamo.fr](mailto:export@bamo.fr)

Pneumatic butterfly valve,  
single or double acting  
**VPP - INOX**

23-09-2020

D-1013.03-EN-AC

**METAL**

**1013-03 /2**